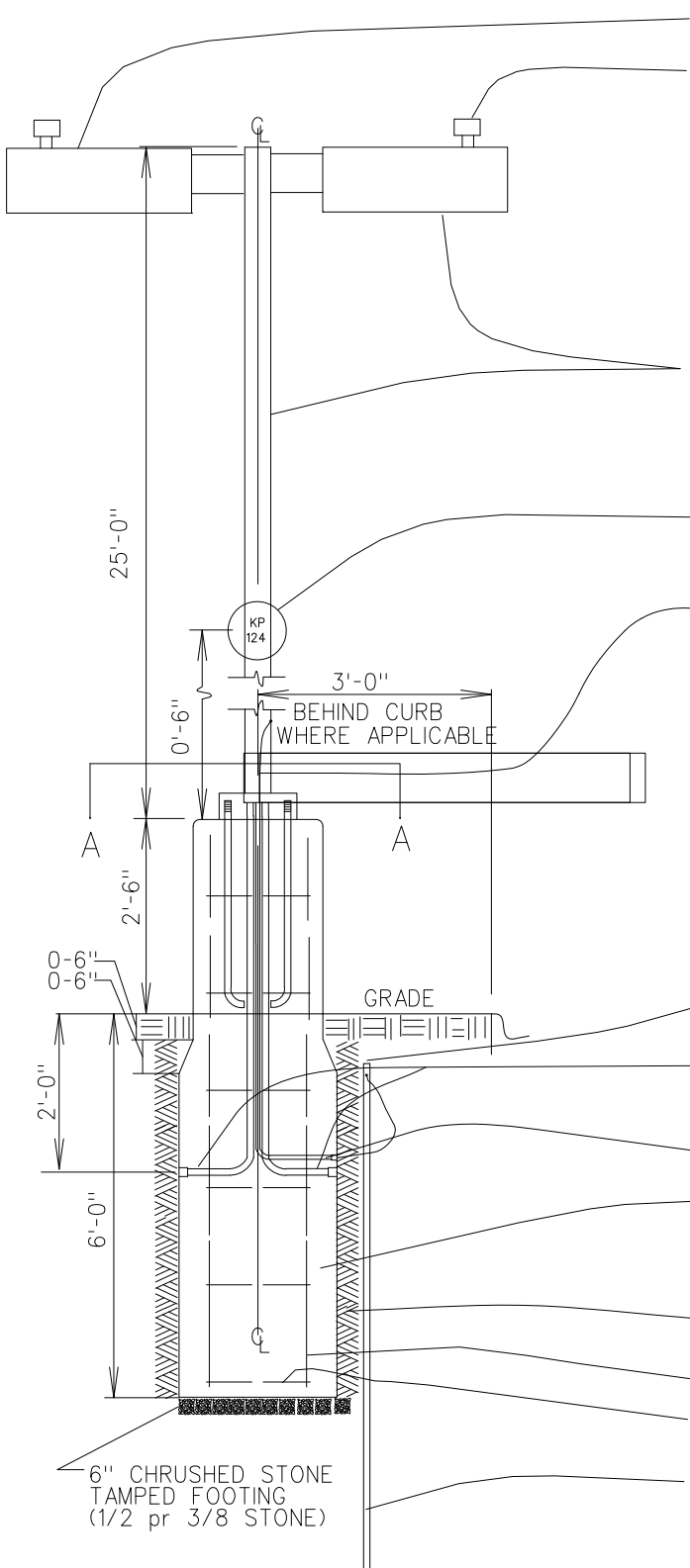


NOTE:
EACH LIGHT HAS ITS OWN NUMBER.
PLACED UNDER EACH LUMINAIRE.

REV. 4/10



- SECOND FIXTURE IF REQUIRED.
- EACH LUMINAIRE TO HAVE ITS OWN ELECTRICAL CIRCUIT GOING UP THE POLE
- AS NEEDED PHOTOCELL OR SHORTING CAP RATED FOR THE OPERATING VOLTAGE
- PHOTOCELL 120/208/240/277 V ELECTRONIC. AREA LIGHTING RESEARCH, MODEL 2190VP3
- PHOTOCELL 408 V ELECTRONIC. AREA LIGHTING RESEARCH, MODEL M-480
- LAMP TO BE HIGH PRESSURE SODIUM, 250 WATT, ET18 OR ED18, MOGUL BASE, CLEAR, AND ALL POSITION PHILIPS C250S50/ALTO/CERAMALUX 36879-5 OR SYLVANIA LU250/ECO 67578 ONLY
- KIM CAT. NO. 1A/ET2/250 HPS/MULTITAP/DB-P/A25 (LUMINAIRE) KSS25-4180-A-DB-P WITH BASECOVER (POLE)
- OWNER SUPPLIED POLE WITH ISU IDENTIFICATION NUMBERS. SEE DETAIL B
- #6 AWG BARE SOLID CU. CONNECT BOTH THE CIRCUIT GROUNDING CONDUCTORS & THE #6 AWG GND. WIRE TO THE POLE GROUNDING LUG.
- OWNER TO FURNISH LUMINAIRE, POLE, BASE COVER AND POLE ID#'S. CONTRACTOR SHALL PROVIDE CONDUIT, CABLES, GROUND ROD, PHOTOCELL OR SHORTING CAP, LAMP, AND PRECAST FOUNDATION WITH ANCHOR BOLTS. THIS CONTRACT TO ASSEMBLE AND SET COMPLETE ASSEMBLY.
- ANCHOR BOLTS ARE 3/4" X 30" X 4" ANCHOR BOLT PROTRUSION IS 3 3/8"
- CONNECT WITH CAD-WELD OR BURNDY TYPE YGHPC HYTAP CONNECTION
- 1 1/4" MIN SCH 40 PVC CONDUITS, AS REQUIRED. INSTALL 1 EA. EXTRA FOR FUTURE USE. CAP SPARE CONDUIT UNDERGROUND.
- 3/4" PVC SCHED 40 CONDUIT FOR GROUND
- 7000 PSI CONCRETE 24" DIA. PRE-CAST FOUNDATION (IOWA BASE, INC. PH 641-435-4159) ISUIAB 24" to 18" X 102" Rd FPM 6746.1338
- BACKFILL VOIDS WITH 1/4" OR SMALLER CRUSHED CONCRETE, POWER TAMPED IN 6" INCREMENTS.
- 4 - #4 CORNER RODS
- #2 TIES @ 1'-3" O.C.
- 5/8" x 10'-0" GND. ROD

STANDARD PRE-CAST FOUNDATION DETAIL

STANDARD 25' PARKING LOT LIGHTING